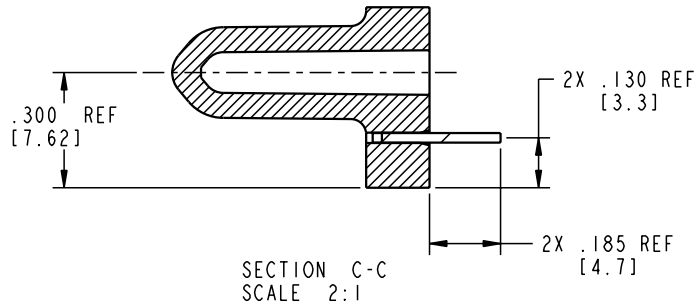
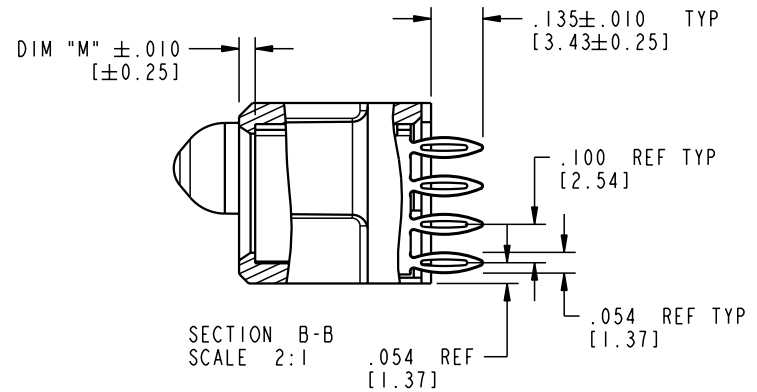
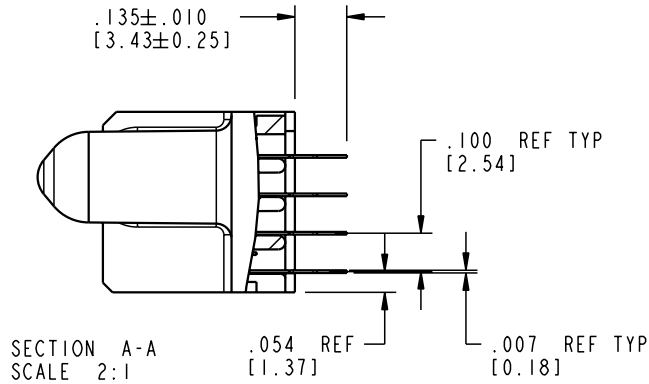


Tous droits strictement reserves. Reproduction ou communication a des tiers interdite sous quelque forme que ce soit sans autorisation écrite du propriétaire. Propriete de c FCI. Droits de reproduction FCI.

All rights strictly reserved. Reproduction or issue to third parties in any form whatever is not permitted without written authority from the proprietor. Property of FCI. Copyright FCI.

PRODUCT NUMBER
51740-10302003CA



mat'l code				SEE NOTE 2		tolerances unless otherwise specified		CUSTOMER		 www.fciconnect.com	
ltr	ecn no.	dr	date	linear	.XX ± .01/0.X ± 0.3		COPY		 title 3P + 20S + 3P		
A					angles	.XXX ± .005/0.XX ± 0.13 .XXX ± .0020/0.XXX ± 0.051		 INCH/MM		VERTICAL PRESS FIT RECEIPT product family PwrBlade code 213	
				dr	C. DAILY	08/28/02	scale 1:1		size dwg no A 51740-10302003CA sheet 2 of 4		
				enr	M. MOSTOLLER	08/28/02					
				chr	M. MOSTOLLER	08/28/02					
				appd	M. MOSTOLLER	08/28/02					
sheet index	revision sheet										

Pro/E

cage code 22526

PDM: Rev:A

STATUS: Released

Printed: Aug 14, 2007

Tous droits strictement réservés. Reproduction ou communication o des tiers interdite sous quelque forme que ce soit sans autorisation écrite du propriétaire. Propriété de c FCI. Droits de reproduction FCI.

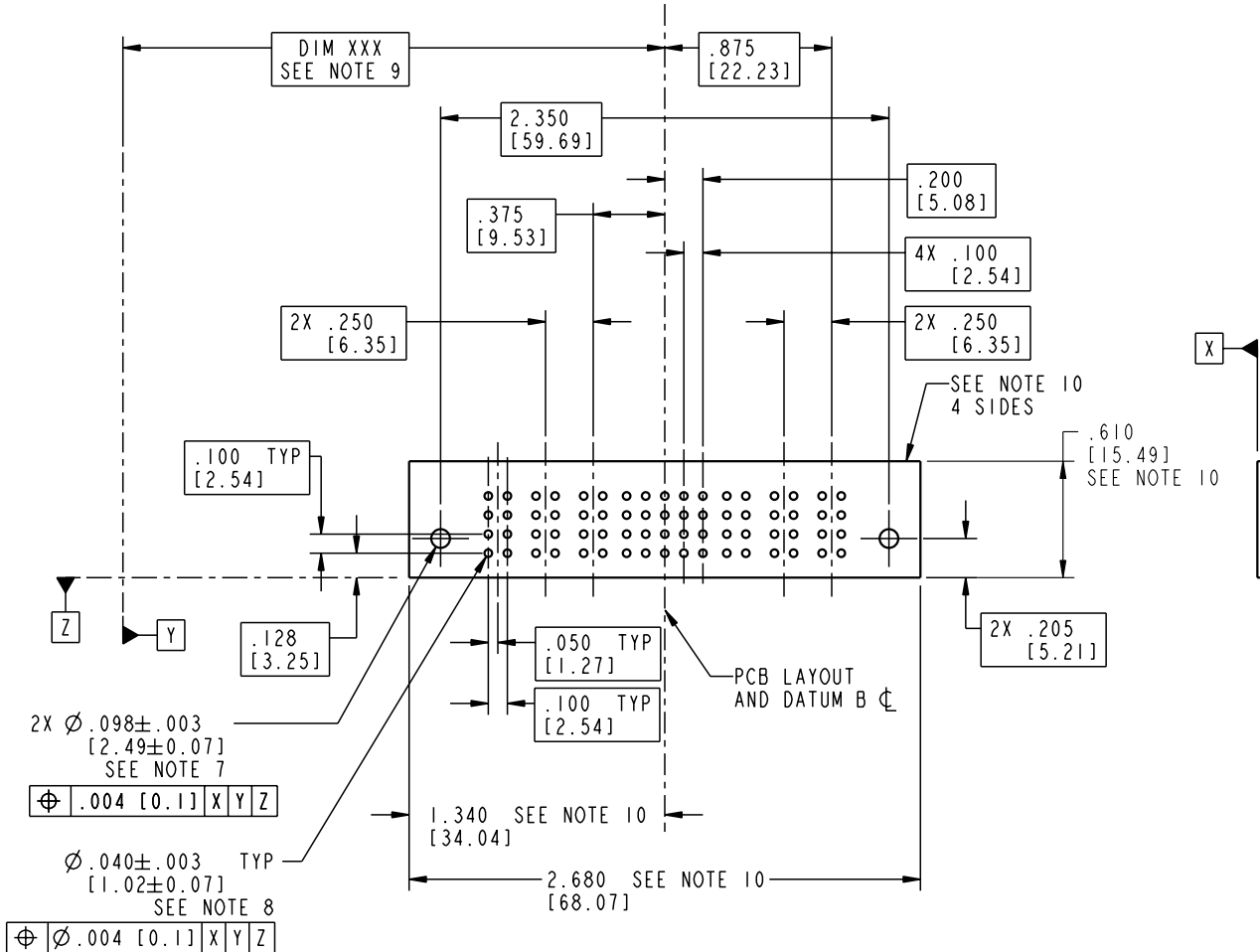
A
FCI

All rights strictly reserved. Reproduction or issue to third parties in any form whatever is not permitted without written authority from the proprietor. Property of FCI. Copyright FCI.

A

B

PRODUCT NUMBER
51740-10302003CA



A

B

mat'l code				SEE NOTE 2		tolerances unless otherwise specified		CUSTOMER		 www.fciconnect.com	
ltr	ecr no.	dr	date	linear	.XX±.01/0.X±0.3	projection		COPY		title	
A				angles	.XXX±.005/0.XX±0.13					3P + 20S + 3P	
				dr	.XXX±.0020/0.XXX±0.051					VERTICAL PRESS FIT RECEIPT	
				enr	0° ± 2°	INCH/MM		product family		code	
				chr		scale		PwrBlade		213	
				appd		1:1		size		sheet	
								A		3 of 4	
sheet index	revision sheet							size		A	
								51740-10302003CA			

1 | 2

3 |

4

1 | 2

Pro/E

3 |

cage code 22526

4

Tous droits strictement réservés. Reproduction ou communication o des tiers interdite sous quelque forme que ce soit sans autorisation écrite du propriétaire. Propriété de c FCI. Droits de reproduction FCI.

A
FCI

All rights strictly reserved. Reproduction or issue to third parties in any form, whenever is not permitted without written authority from the proprietor. Property of FCI. Copyright FCI.

B

PRODUCT NUMBER
51740-10302003CA

NOTES:

1. DIMENSIONS AND TOLERANCES ARE IN ACCORDANCE WITH ASME Y14.5M, 1994 UNLESS OTHERWISE SPECIFIED.

CONNECTOR NOTES:

- ② HOUSING MATERIAL: UL 94 V-0 GLASS FILLED
HIGH-TEMP THERMOPLASTIC
POWER CONTACT MATERIAL: COPPER ALLOY
SIGNAL PIN MATERIAL: COPPER ALLOY
- 3. PLATING:
SIGNAL PINS: 30u"/0.76um Au OVER 50u"/1.27um Ni
POWER CONTACTS: 50u"/1.27um Ni UNDER ALL
WITH 30u"/0.76um Au ON CONTACT AREA
AND SnPb ON PCB INTERFACE

④ MANUFACTURER'S NAME, P/N, AND DATE CODE TO APPEAR ON THIS SURFACE.

5. PRODUCT SPECIFICATION GS-12-149.
APPLICATION SPECIFICATION BUS-20-067.

PCB NOTES:

- 6. ALL HOLE DIAMETERS ARE FINISHED HOLE SIZE.
- 7. MOUNTING HOLES, WHERE APPLICABLE, ARE UNPLATED.

⑧ $\varnothing .0453 \pm .0010$ [1.151 ± 0.025] DRILLED HOLES PLATED WITH
.0003 [0.008] MIN SnPb OVER .001 [0.03]
TO .003 [0.08] Cu PLATING TO ACHIEVE
 $\varnothing .040 \pm .003$ [1.02 ± .07] HOLE.

⑨ "DIM XXX" TO BE DETERMINED BY THE CUSTOMER.

⑩ CONNECTOR KEEP-OUT ZONE.

mat'l code				SEE NOTE 2		tolerances unless otherwise specified		CUSTOMER		A FCI www.fciconnect.com	
ltr	ecr no.	dr	date	linear	.XX±.01/0.X±0.3		COPY		title 3P + 20S + 3P VERTICAL PRESS FIT RECEPT		
A					.XXX±.005/0.XX±0.13		projection				
				angles	.XXX±.0020/0.XXX±0.051				product family PwrBlade code 213		
				dr	C. DAILY	08/28/02	INCH/MM				
				enr	M. MOSTOLLER	08/28/02	scale		size dwg no A 51740-10302003CA		
				chr	M. MOSTOLLER	08/28/02	1:1				
				appd	M. MOSTOLLER	08/28/02			sheet 4 of 4		
sheet index	revision sheet										

1 | 2

Pro/E

3 |

cage code 22526

4

PDM: Rev:A

STATUS: **Released**

Printed: Aug 14, 2007